

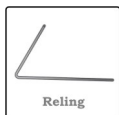
BRUNNER FIREPLACES



Eck-Kamin 42/57/30

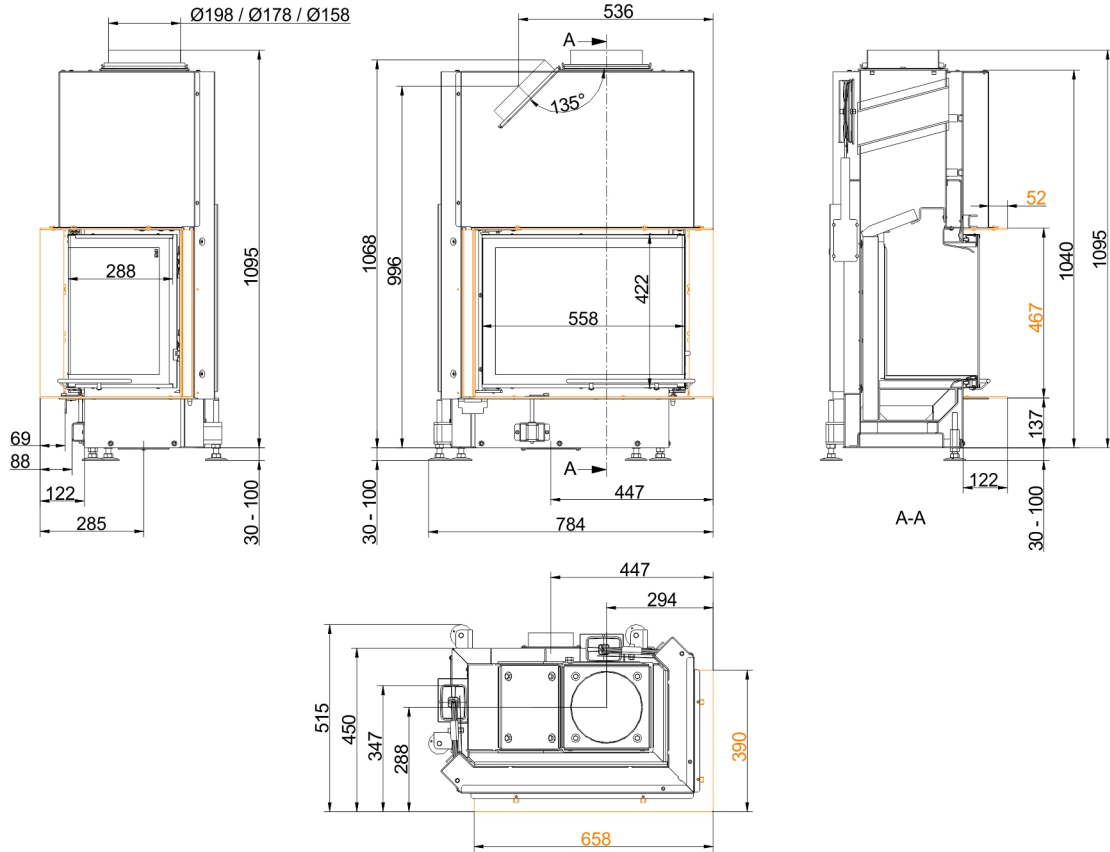
lifting door (easy-lift)

State: 2018-01-24

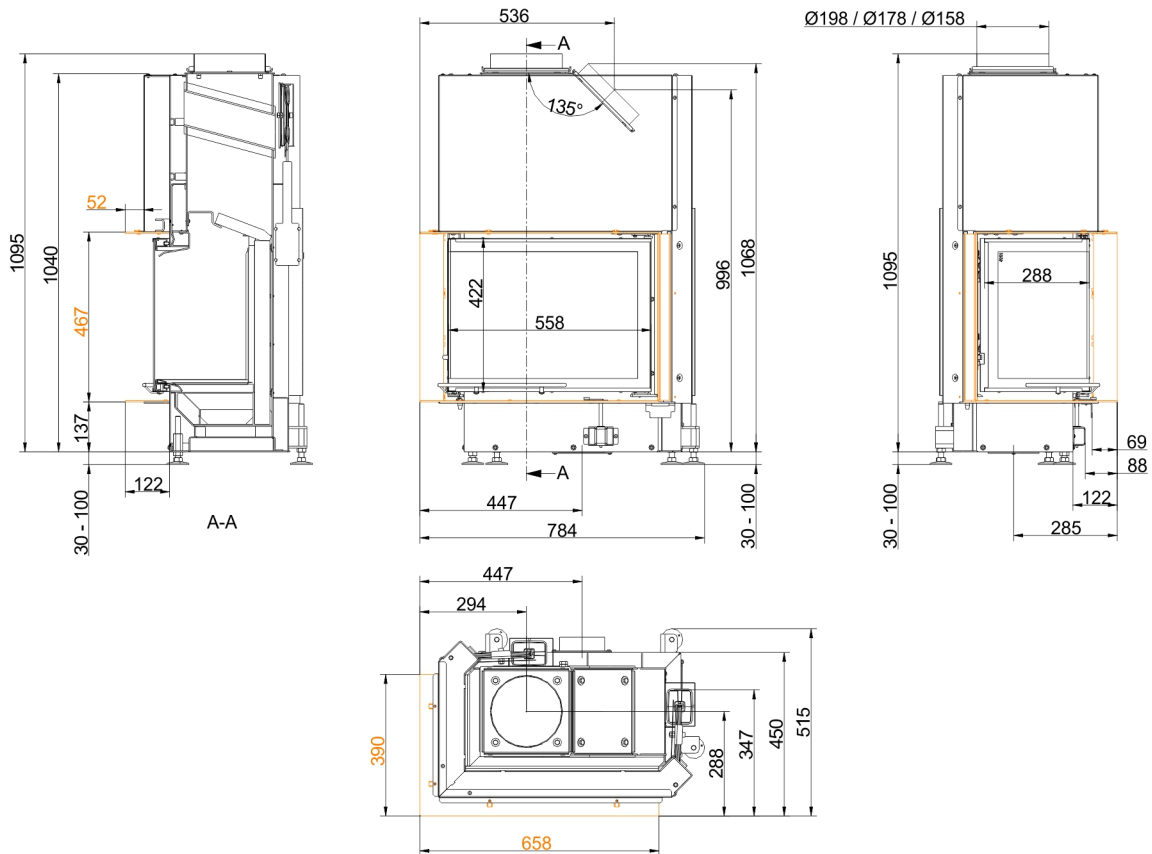


BRUNNER[®]
made in germany.

Dimension sheets - Eck-Kamin 42/57/30 lifting door (easy-lift)

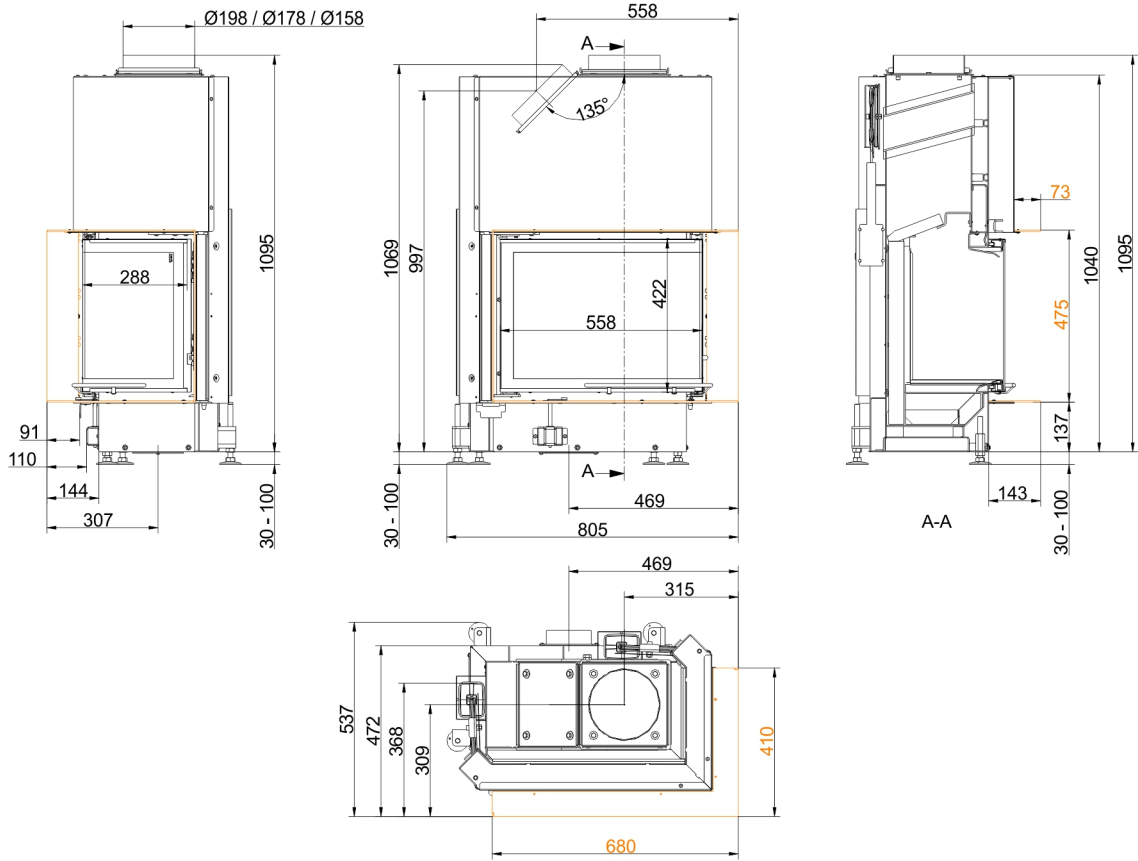


... right with mounting frame 50 mm

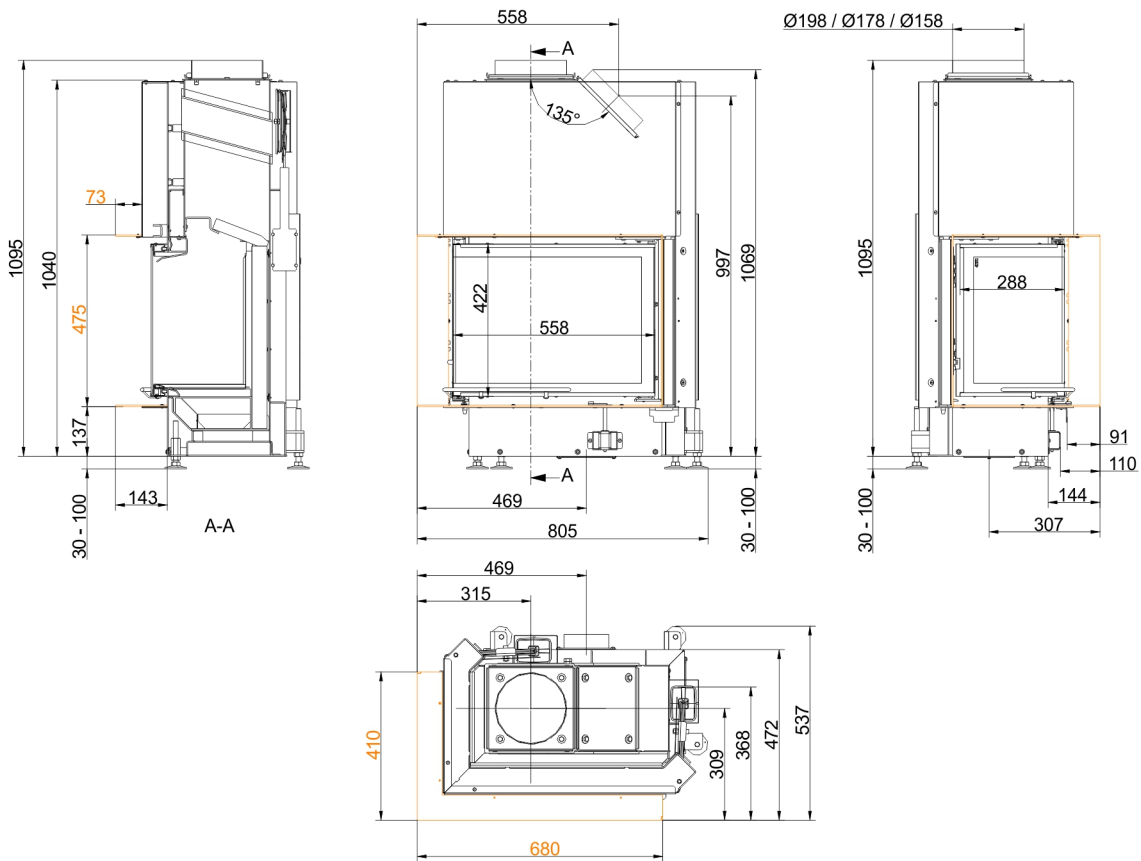


... left with mounting frame 50 mm

Dimension sheets - Eck-Kamin 42/57/30 lifting door (easy-lift)



... right with mounting frame 70 mm



... left with mounting frame 70 mm

We suggest for CAD planing Palette CAD. Permanent updated drawings: www.brunner.de
Frames / front versions are marked colored.

Planning and installation - Eck-Kamin 42/57/30 lifting door (easy-lift)

Tested according to		EN 13229 W	EN 13229 WA
Values measured at		Rated capacity	Accumulation
Suitable for all construction types according to rules		OK	OK
EEL		109.9	109.9
Data for functional demonstration			
Rated heat power	kW	8	-
Fire wood volume	kg/h	3	5
Combustion performance	kW	11	18
Flue gas mass flow	g/s	9	21
Flue gas temperature after:			
attached steel smoke hood	°C	180	195
Necessary supply pressure	Pa	12	15
Combustion air consumption	m ³ /h	30	50
Combustion air connection Ø	mm	125	125
Heat distribution			
Insert / heat accumulator	%	25 / 30	25 / 30
Glass pane (single / double)	%	45 / -	45 / -
Cross-section of gratings ¹⁾			
Supply air	cm ²	800 / 100 / -	800 / 100 / -
Warm air	cm ²	800 / 100 / -	800 / 100 / -
Minimal oven surface for closed construction type			
Heat dissipating surface	m ²	3.5	3.5
Minimal distances of the fireplace			
to insulation layer	cm	8	8
to mounting floor	cm	4	4
Thermal insulation without / with air gratings ²⁾			
Mounting wall	cm	14 / 12	14 / 12
Floor	cm	2 / 2	2 / 2
Ceiling	cm	16 / 14	16 / 14
Brick lining for combustible wall	cm	10	10
Weight			
Fireplace / combustion room	kg	148 / 37	
Meets requirement/limit values for:			
Germany/ Austria / Suisse / Norway		1.BImSchV (Stufe 2) / 15a BVG (2015) / - / -	

1) for fireplace inserts / flue gas pipe / metallic reheating surface

2) Values determined with upper air sections; stove cladding is heat emitting.