

BRUNNER FIREPLACES



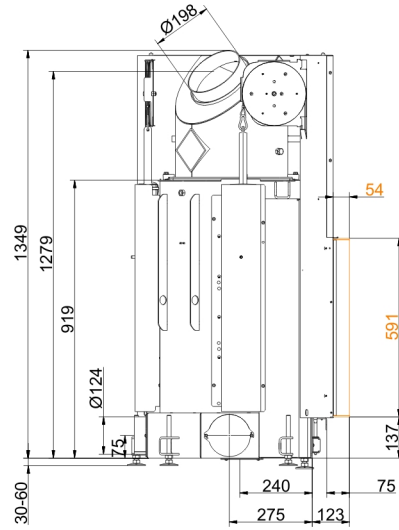
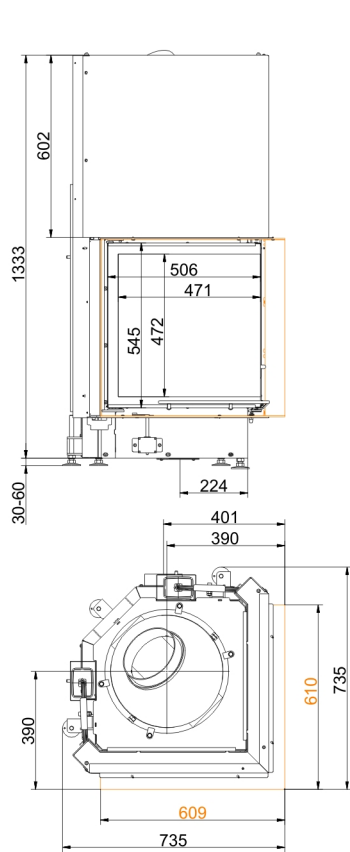
Eck-Kamin 57/52/52 lifting door (easy-lift)

State: 2018-01-26

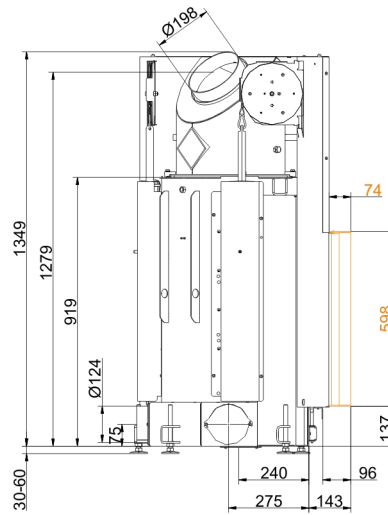
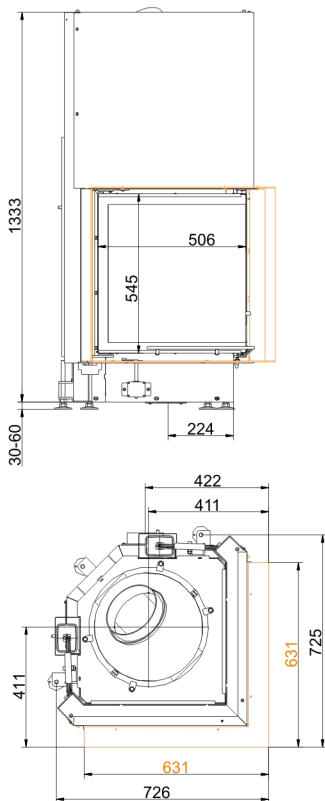


BRUNNER[®]
made in germany.

Dimension sheets - Eck-Kamin 57/52/52 lifting door (easy-lift)



... with mounting frame 50 mm



... with mounting frame 70 mm

We suggest for CAD planing Palette CAD. Permanent updated drawings: www.brunner.de
Frames / front versions are marked colored.

Planning and installation - Eck-Kamin 57/52/52 lifting door (easy-lift)

Tested according to		EN 13229 W	EN 13229 WA	EN 13229 W
Values measured at		Rated capacity	Accumulation	Open
Suitable for all construction types according to rules		OK	OK	OK
EEl		105.7	105.7	105.7
Data for functional demonstration				
Rated heat power	kW	10	-	-
Fire wood volume	kg/h	3	5	3
Combustion performance	kW	13	22	13
Flue gas mass flow	g/s	12	21	81
Outlet temperature (before heating surface)	°C	-	340	-
Flue gas temperature after:				
attached steel smoke hood	°C	210	246	116
1 x adjoining cast iron radiator (GNF 8/10)	°C	-	124	-
6 x accumulation rings (MAS) ¹⁾	°C	-	210	-
2 m ceramic accumulator ²⁾	°C	-	180	-
1,4 m accumulation stones (MSS) ²⁾	°C	-	180	-
Necessary supply pressure	Pa	13	15	8
Combustion air consumption	m ³ /h	30	50	200
Combustion air connection Ø	mm	125	125	-
Heat distribution				
Insert / heat accumulator	%	25 / 30	25 / 30	-
Glass pane (single / double)	%	45 / -	45 / -	-
Cross-section of gratings ³⁾				
Supply air	cm ²	500 / 100 / 300	500 / 100 / 300	-
Warm air	cm ²	500 / 100 / 300	500 / 100 / 300	-
Minimal oven surface for closed construction type				
Heat dissipating surface	m ²	4	4	-
Minimal distances of the fireplace				
to insulation layer	cm	8	8	8
to mounting floor	cm	15	15	15
Thermal insulation without / with air gratings ⁴⁾				
Mounting wall	cm	14 / 10	14 / 10	14 / 10
Floor	cm	2 / 2	2 / 2	2 / 2
Ceiling	cm	16 / 12	16 / 12	16 / 12
Brick lining for combustible wall	cm	10	10	10
Weight				
Fireplace / combustion room	kg	213 / 52		
Meets requirement/limit values for:				
Germany/ Austria / Suisse / Norway	1.BImSchV (Stufe 2) / 15a BVG (2015) / LRV / NS 3059			

- 1) Damper flap recommended
- 2) Approximate value. Proof of function provided by calculation required
- 3) for fireplace inserts / flue gas pipe / metallic reheating surface
- 4) Values determined with upper air sections; stove cladding is heat emitting.