



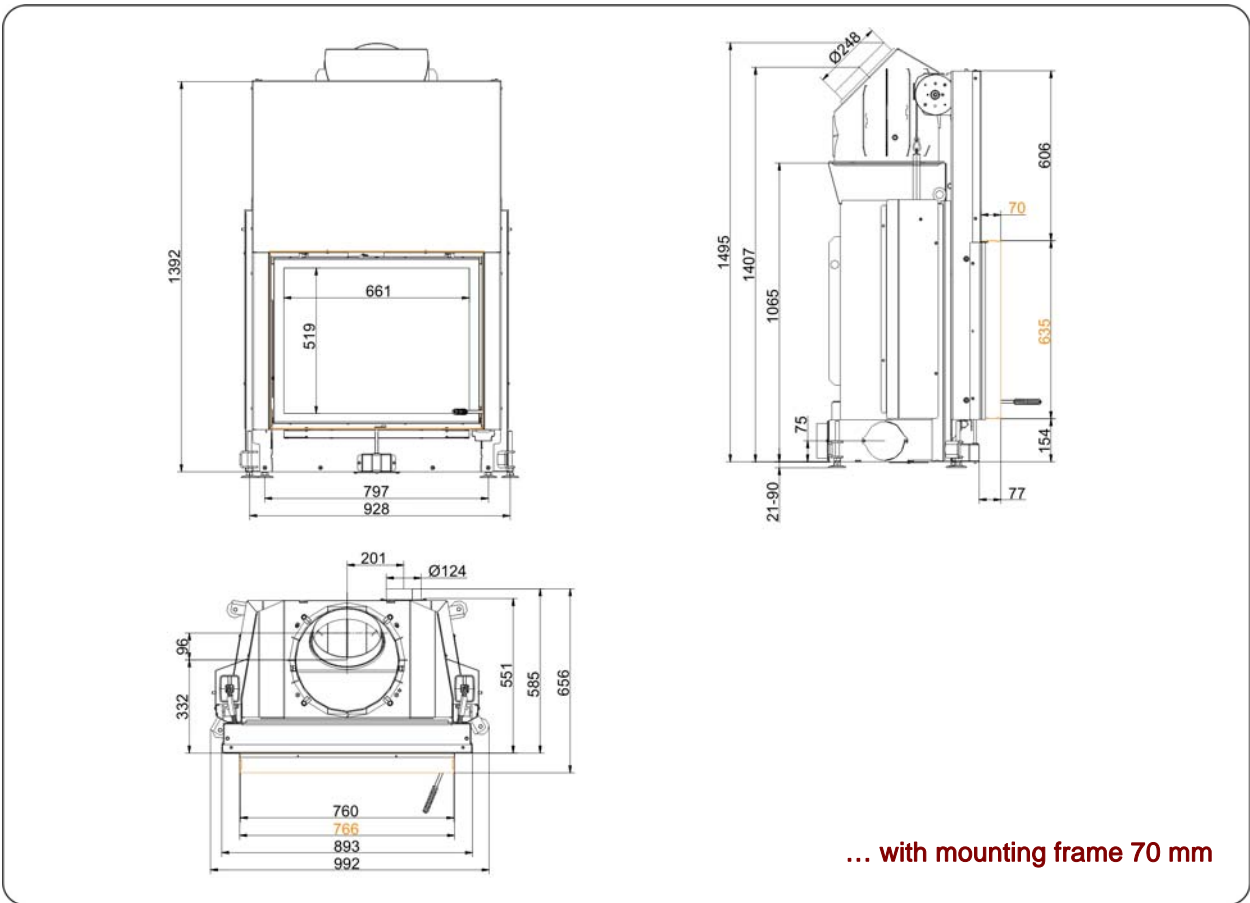
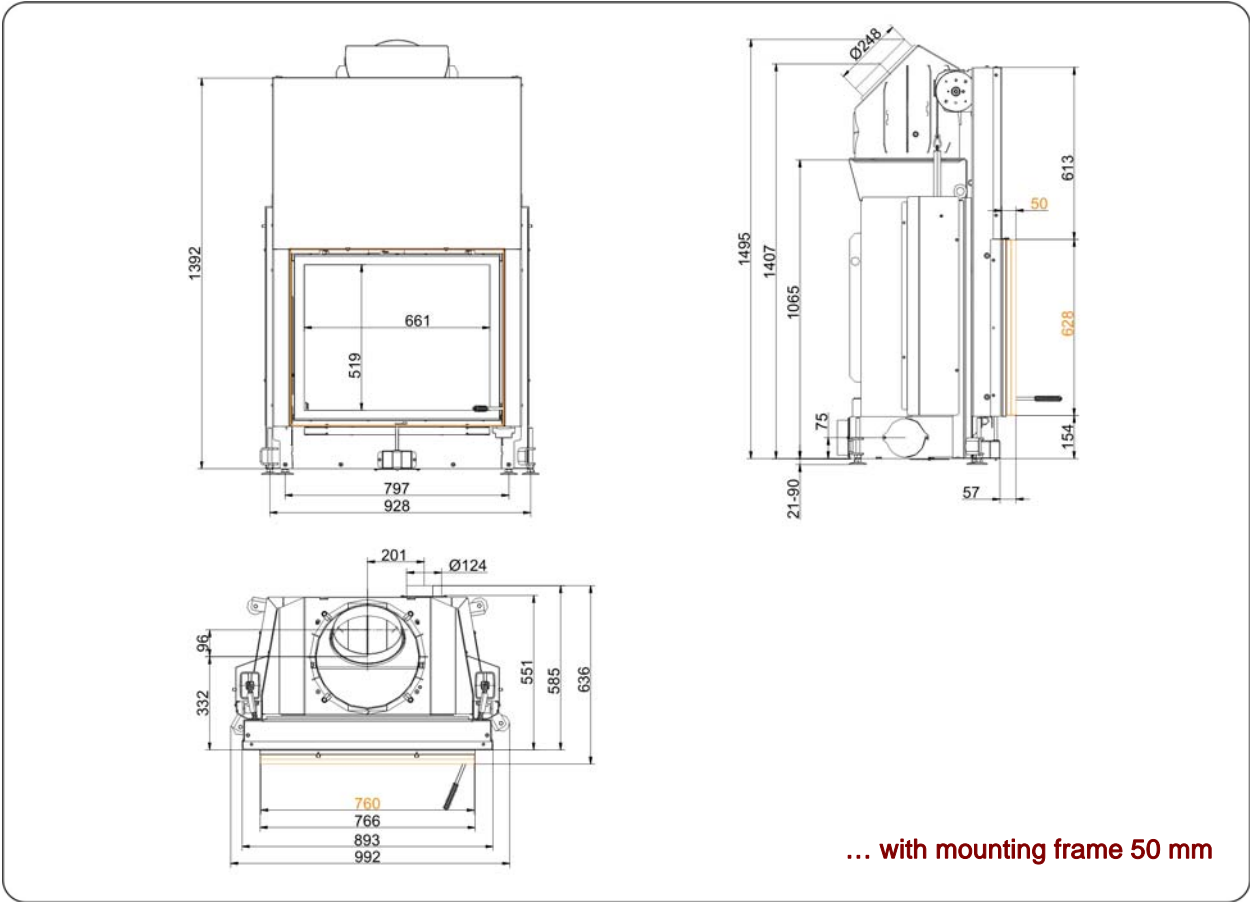
Stil-Kamin 62/76 lifting doors (easy-lift)

State: 05.02.2014



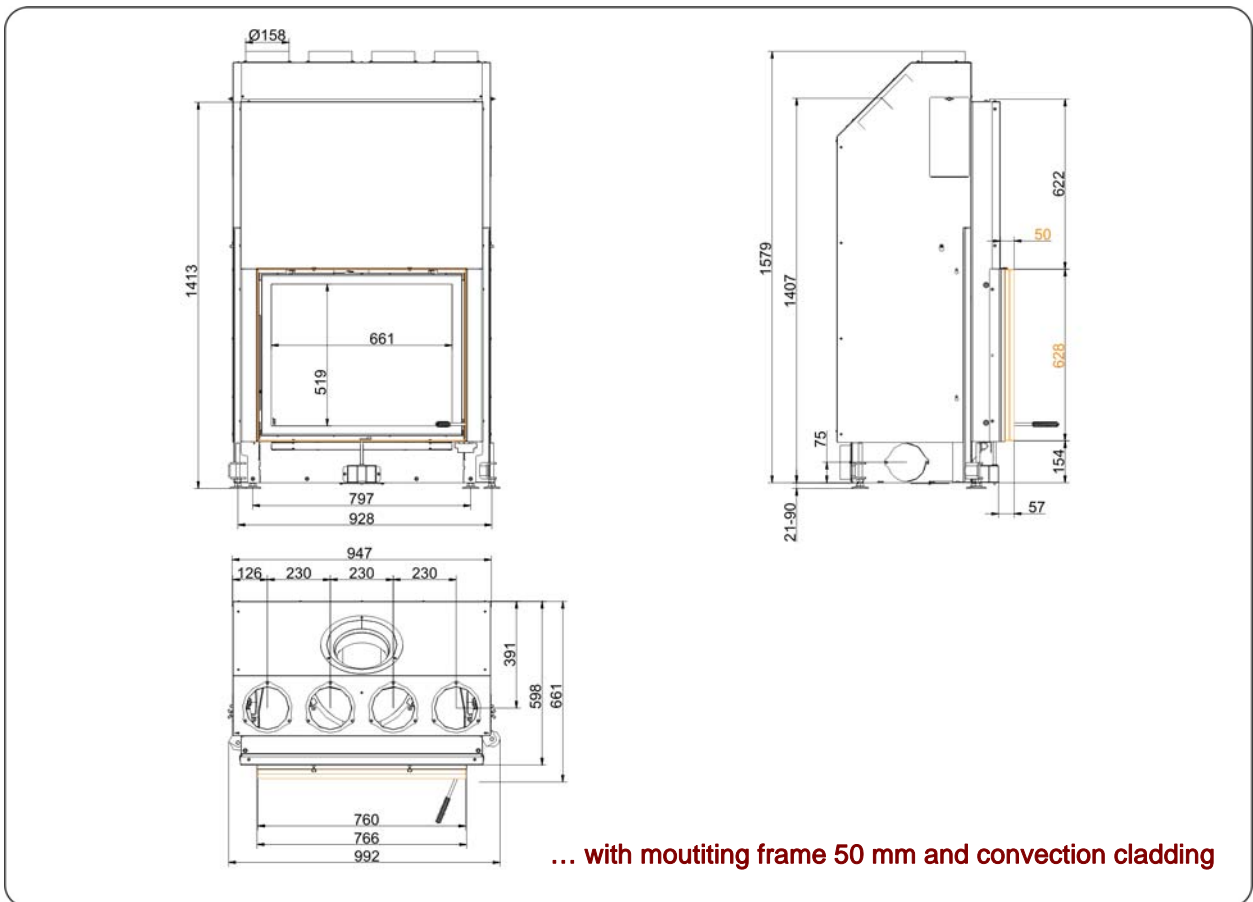
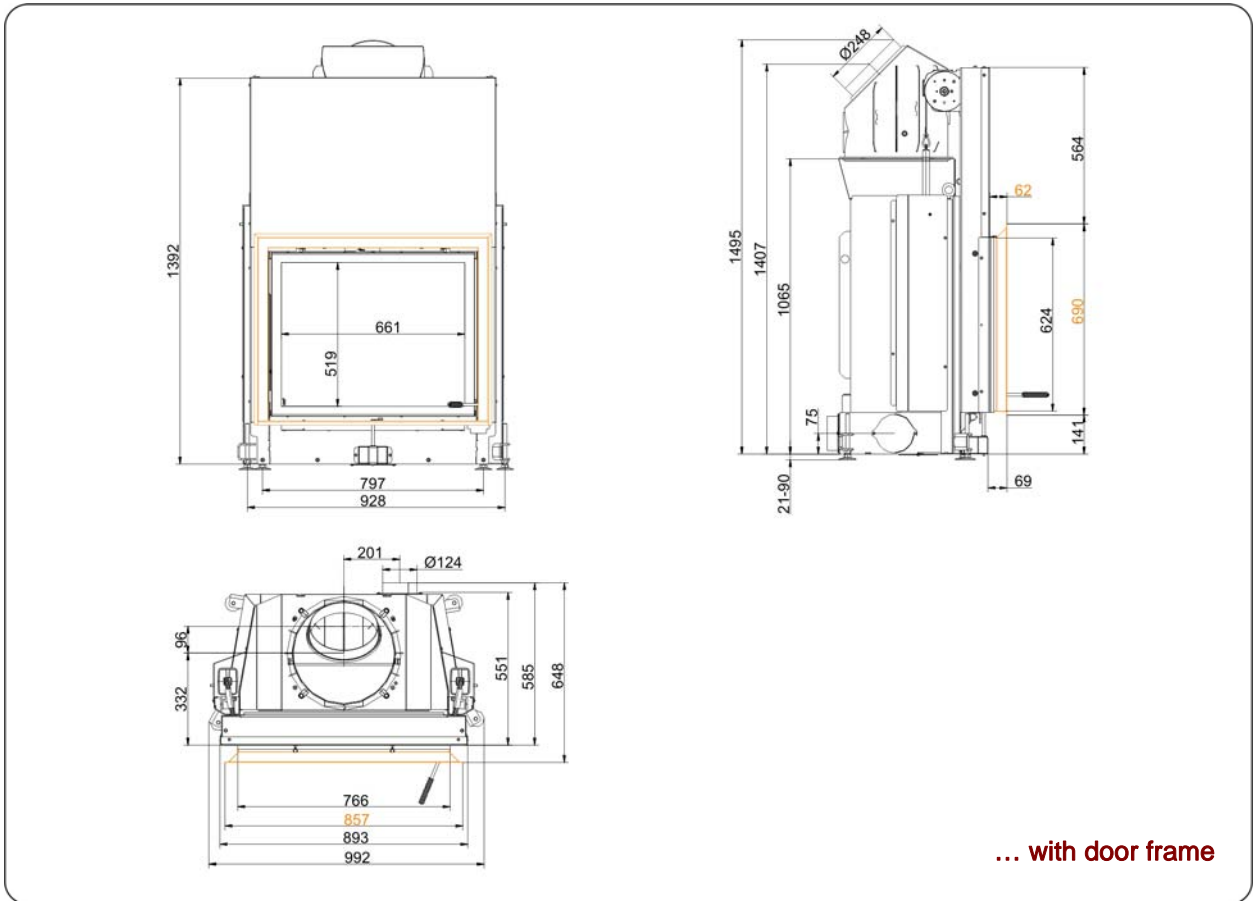
BRUNNER[®]
made in germany

Dimension sheet | **Stil-Kamin 62/76 lifting doors (easy-lift)**



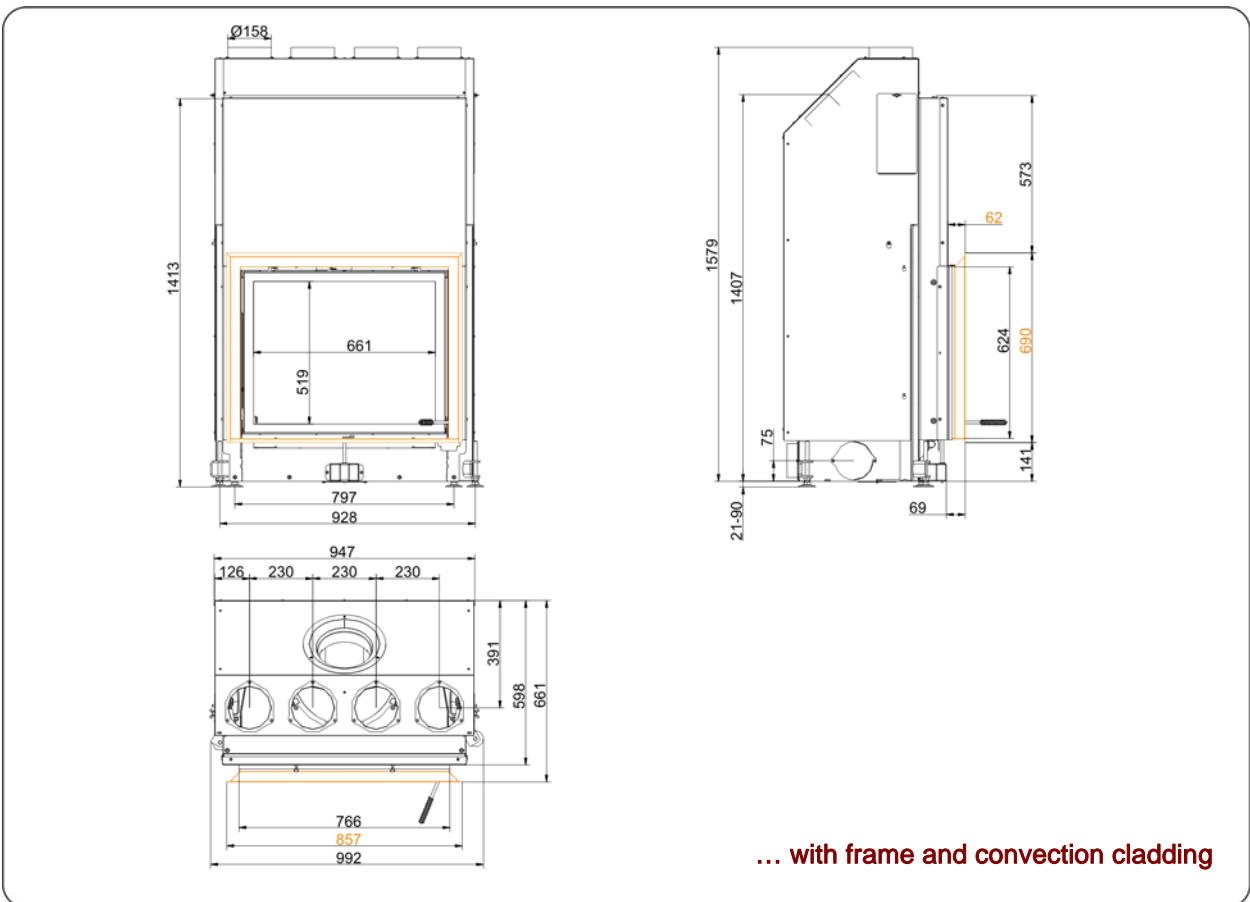
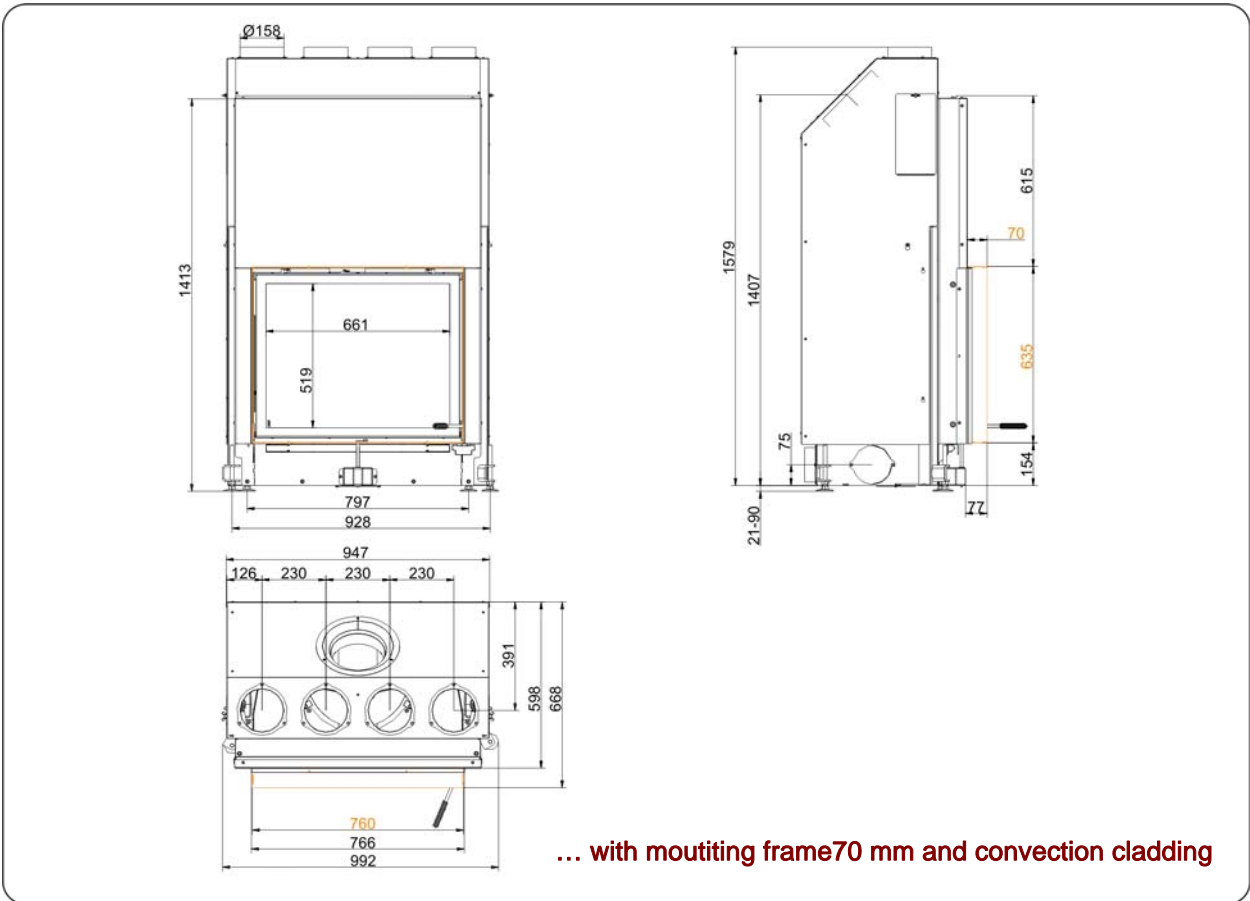
We suggest for CAD planing Palette CAD. Permanent updated drawings: www.brunner.de
 Frames / front versions are marked colored.

Dimension sheet | **Stil-Kamin 62/76 lifting doors (easy-lift)**



We suggest for CAD planing Palette CAD. Permanent updated drawings: www.brunner.de
 Frames / front versions are marked colored.

Dimension sheet | **Stil-Kamin 62/76 lifting doors (easy-lift)**



Planning and installation

Stil-Kamin 62/76

Tested according to	EN 13229 W	EN 13229 W
Values measured at	nominal load	open door
Suitable for all construction types according to rules	OK	OK

Data for functional demonstration

Rated heat power	kW	10,5	-
Firewood consumption	kg/h	3,2	3,0
Combustion performance	kW	12,5	13
Flue gas mass flow	g/s	10	70
Outlet temperature (before heating surface)	°C	325	-
Flue gas temperature after			
attached steel smoke hood	°C	200	120
1 x adjoining cast iron radiator (GNF10)	°C	135	-
6 x accumulation rings (MAS) ¹⁾	°C	205	-
adjoining ceramic accumulator ²⁾	°C	-	-
accumulation stones (MSS)	°C	-	-
water boiler	°C	-	-
Necessary supply pressure	Pa	12	6
Combustion air consumption	m ³ /h	35	180
Combustion air connection Ø	mm	125	-

Heat distribution

Insert / heating surface	%	60 / -	- / -
Glass (single / double)	%	40 / -	- / -
Boiler	%	-	-

Cross-section of gratings for max. warm air power

Supply air	cm ²	1500	-
Warm air	cm ²	1500	-

Minimal oven surface for closed construction type

Surface giving off heat	m ²	4,5	-
-------------------------	----------------	-----	---

Space inside oven chamber without / with convection cladding ⁴⁾

Distance to oven chamber wall	cm	8 / 3	8 / 3
Distance to floor	cm	-	-

Heat insulation without / with ³⁾ air gratings / with convection cladding ⁴⁾

Wall	cm	18 / 14	18 / 14
Floor	cm	4 / 2	4 / 2
Ceiling	cm	22 / 16	22 / 16
Insulation of additional fire door DHT	cm	-	-
Brick lining of protected walls	cm	10	10

Weight

Fireplace + burning chamber	kg	202 + 104
-----------------------------	----	-----------

meets requirement limit values for

Germany / Austria / Switzerland / Norway	1.BImSchV (Stufe 2) / 15a BvG / LRV / NS 3059
--	---

- 1) Throttle flap recommended
- 2) Approximate value, must be calculated eventually
- 3) Values with air gratings, stove casing is heat conducting
- 4) at thermal insulation with ventilation (see assembly instructions)

Ulrich Brunner GmbH
 Zellhuber Ring 17 -18
 D-84307 Eggenfelden
 Phone: +49 / (0)87 21 / 7 71-0
 Fax: +49 / (0)87 21 / 7 71-100
 info@brunner.eu | www.brunner.eu



BRUNNER products are offered and sold only by qualified dealers and service centres.
 Subject to technical and assortment changes. Errors excepted. (02/14)