



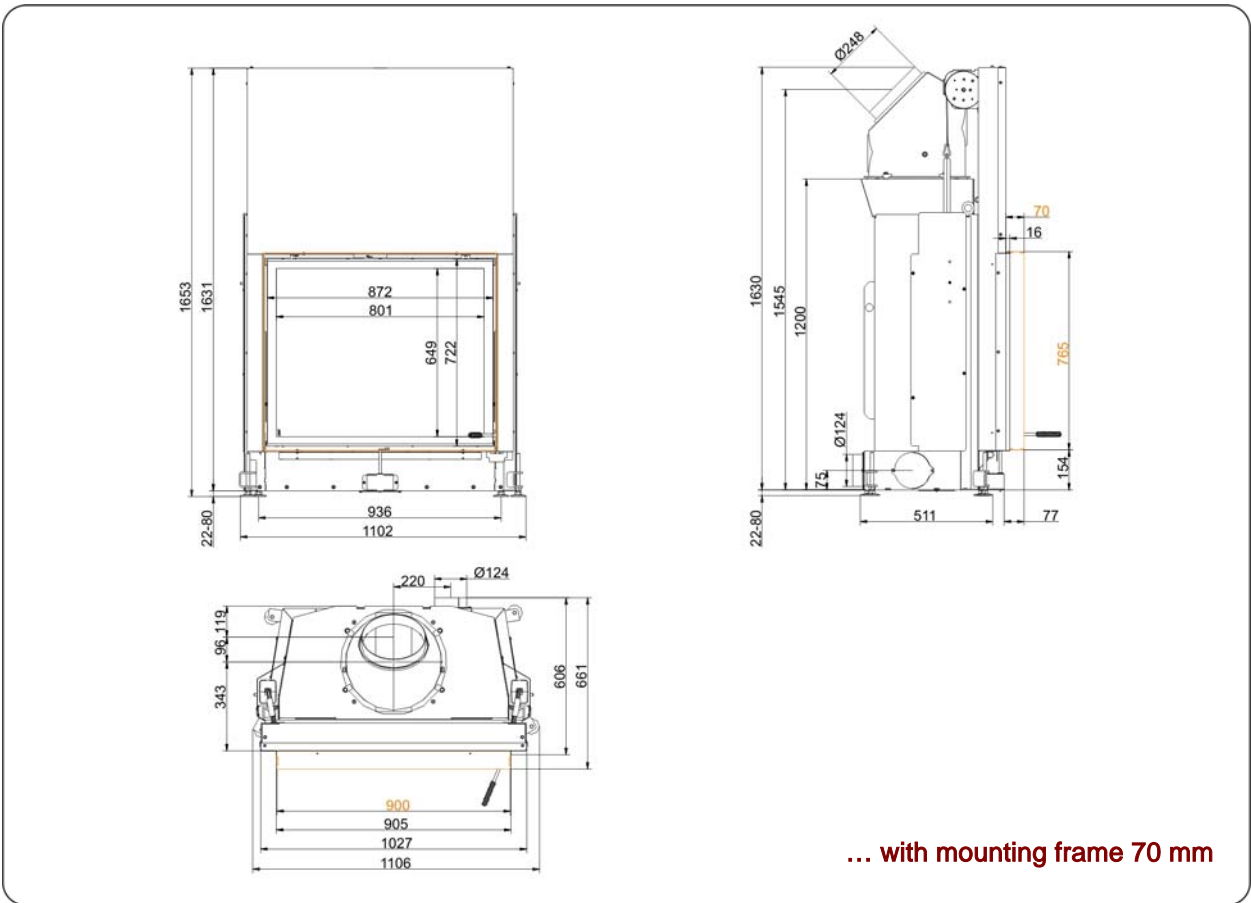
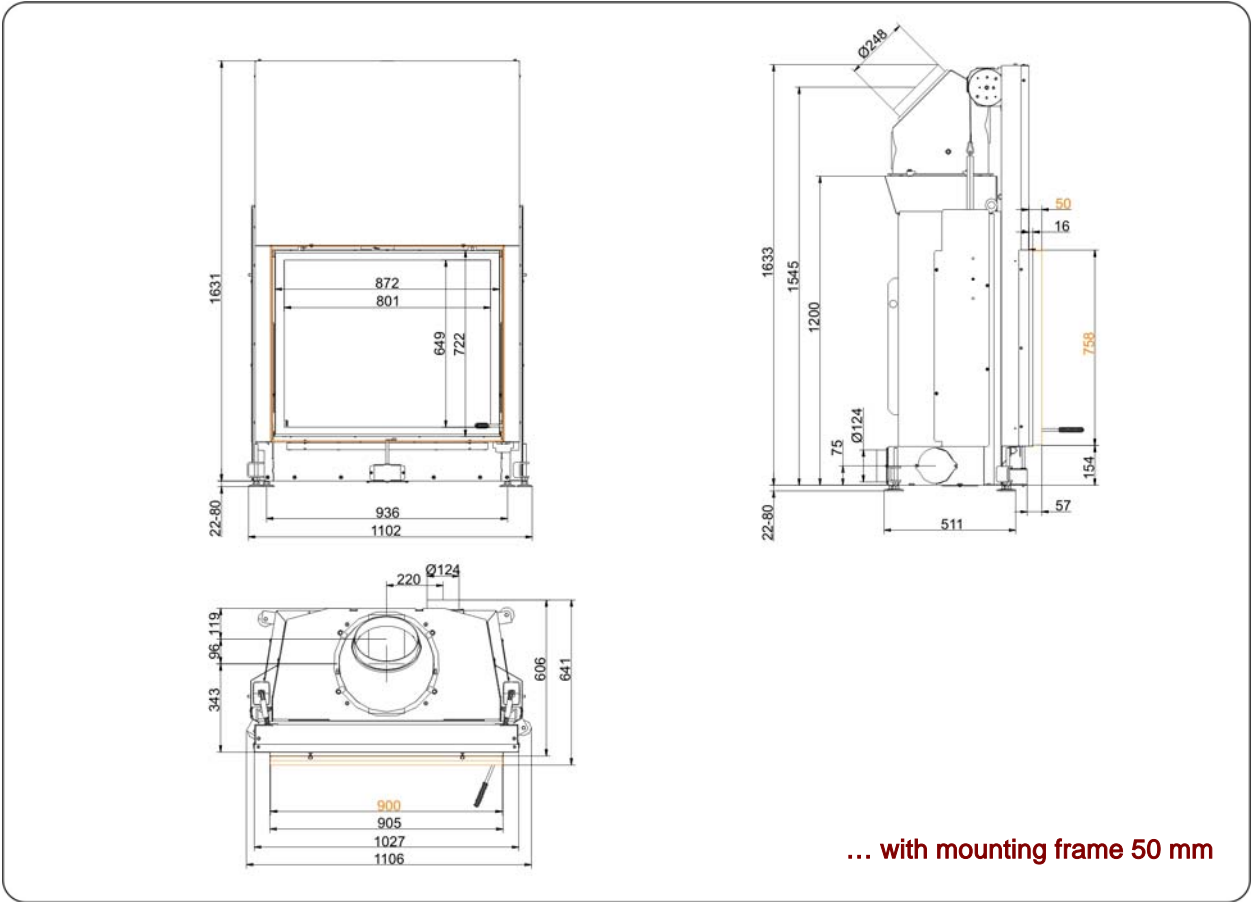
Stil-Kamin 75/90 lifting doors

State: 04.12.2012



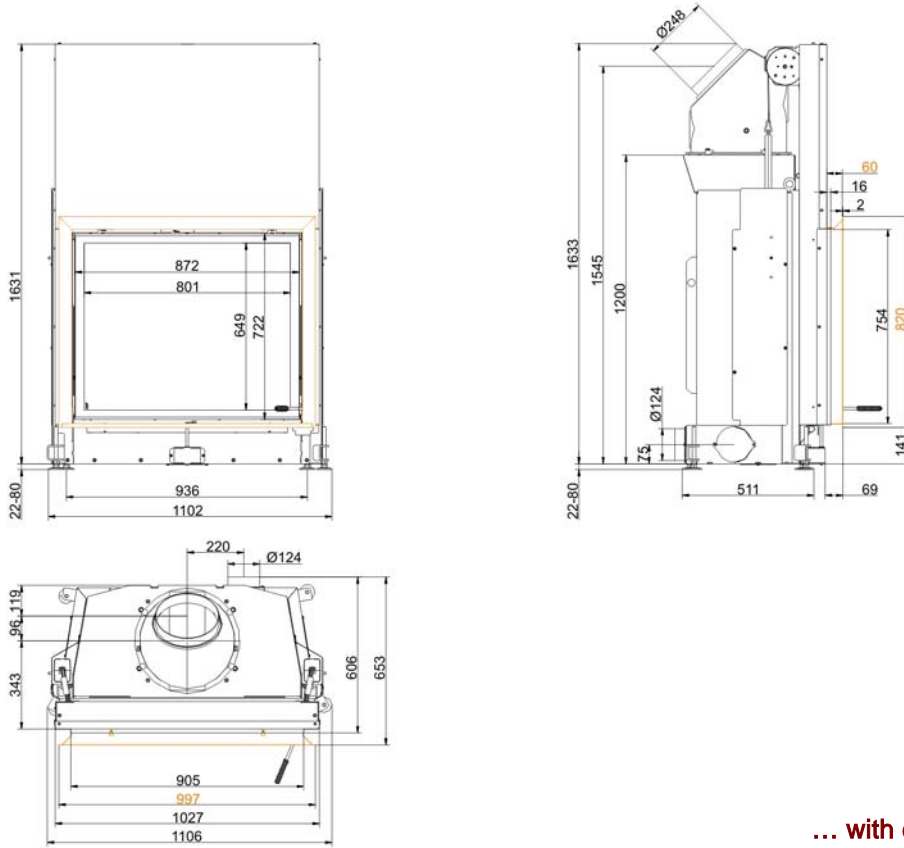
BRUNNER[®]
made in germany

Dimension sheet | **Stil-Kamin 75/90 lifting doors**



We suggest for CAD planing Palette CAD. Permanent updated drawings: www.brunner.de
 Frames / front versions are marked colored.

Dimension sheet | **Stil-Kamin 75/90 lifting doors**



... with door frame

Planning and installation

Stil-Kamin 75/90

Tested according to	EN 13229 W	EN 13229 W
Values measured at	nominal load	open door
Suitable for all construction types according to rules	OK	OK

Data for functional demonstration

Rated heat power	kW	14	-
Firewood consumption	kg/h	4	4
Combustion performance	kW	16	13
Flue gas mass flow	g/s	12	85
Outlet temperature (before heating surface)	°C	340	-
Flue gas temperature after			
attached steel smoke hood	°C	233	125
1 x adjoining cast iron radiator (GNF10)	°C	140	-
7 x accumulation rings (MAS) ¹⁾	°C	220	-
adjoining ceramic accumulator ²⁾	°C	-	-
ceramic modular accumulator (KMS system)	°C	-	-
water boiler	°C	-	-
Necessary supply pressure	Pa	12	8
Combustion air consumption	m ³ /h	42	220
Combustion air connection Ø	mm	125	-

Heat distribution

Insert / heating surface	%	60 / -	- / -
Glass (single / double)	%	40 / -	- / -
Boiler	%	-	-

Cross-section of gratings for max. warm air power

Supply air	cm ²	1500	0
Warm air	cm ²	1500	0

Minimal oven surface for closed construction type

Surface giving off heat	m ²	5,5	-
-------------------------	----------------	-----	---

Space inside oven chamber

Distance to oven chamber wall	cm	8	8
Distance to floor	cm	-	-

Heat insulation without / with ³⁾ air gratings

Wall	cm	18 / 14	18 / 14
Floor	cm	4 / 2	4 / 2
Ceiling	cm	22 / 16	22 / 16
Insulation of additional fire door DHT	cm	-	-
Brick lining of protected walls	cm	10	10

Weight

Fireplace + burning chamber	kg	245 + 128
-----------------------------	----	-----------

meets requirement limit values for

Germany / Austria / Switzerland / Norway	1.BImSchV (Stufe 2) / 15a BvG / LRV / NS 3059
--	---

1) Throttle flap recommended

2) Approximate value, must be calculated eventually

3) Values with air gratings, stove casing is heat conducting

Ulrich Brunner GmbH
 Zellhuber Ring 17 -18
 D-84307 Eggenfelden
 Phone: +49 / (0)87 21 / 7 71-0
 Fax: +49 / (0)87 21 / 7 71-100
 info@brunner.de | www.brunner.de



BRUNNER products are offered and sold only by qualified dealers and service centres.
 Subject to technical and assortment changes. Errors excepted. (12/12)